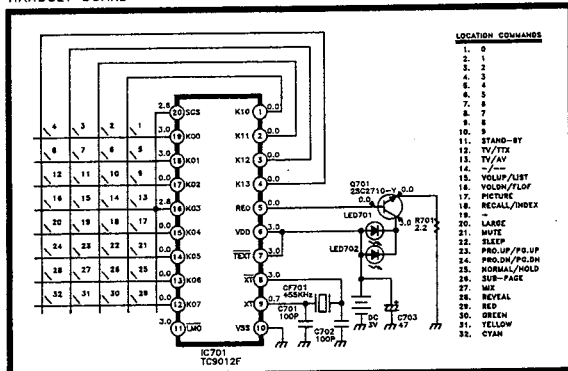
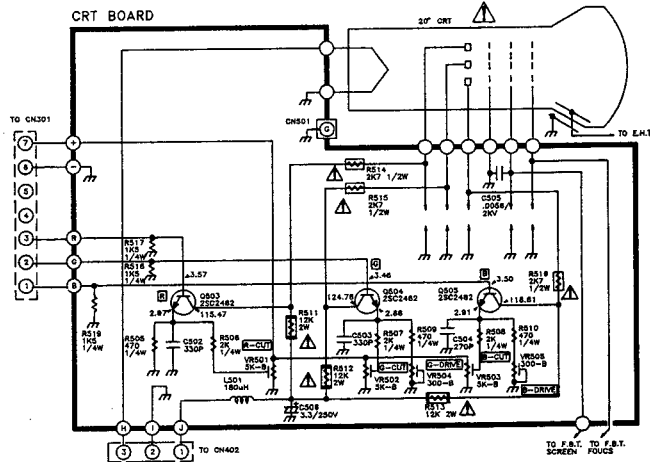


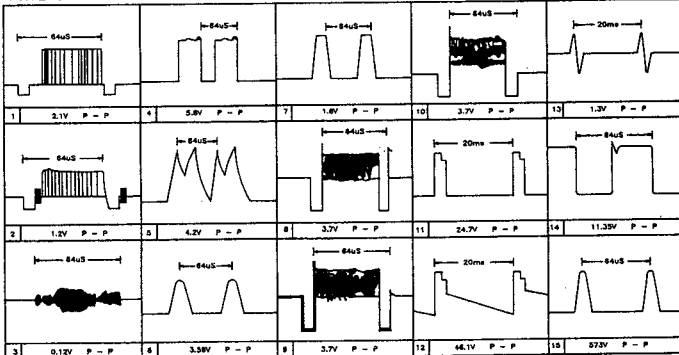
HANDESET BOARD



CRT BOARD



WAVEFORM



CIRCUIT SYMBOLS	
	RESISTOR
	NONFLAMMABLE CAPACITOR
	FUSIBLE CAPACITOR
	CEMENT CAPACITOR
	METAL OXIDE CAPACITOR
	THERMISTOR
	ELECTROLYTIC CAPACITOR
	BIPOLAR ELECTROLYTIC CAPACITOR
	POLYPROPYLENE CAPACITOR
	MYLAR CAPACITOR
	TANTALUM CAPACITOR
	METALLIZED POLYESTER CAPACITOR
	POLYESTER FILM CAPACITOR

- NOTE:
- (1) ALL CAPACITORS ARE IN μF UNLESS OTHERWISE NOTED. ALL CAPACITORS ARE 50VW UNLESS OTHERWISE NOTED.
 - (2) CAPACITOR NOT SPECIFICALLY DESIGNATED ARE CERAMIC CAPACITORS.
 - (3) ALL RESISTORS ARE IN OHM 1/16 WATT UNLESS OTHERWISE NOTED.
 - (4) RESISTOR NOT SPECIFICALLY DESIGNATED ARE CARBON FILM RESISTORS.
 - (5) DC VOLTAGE ARE MEASURED FROM POINTS INDICATED TO THE CIRCUIT GROUND WITH A DIGITAL MULTIMETER TEST.
 - (6) WAVEFORMS ARE TAKEN WITH SETTING CONTROLS TO A NORMAL CONDITIONS (COLOR PHILIPS PATTERN).
 - (7) THIS CIRCUIT DIAGRAM IS SUBJECT TO CHANGE WITHOUT PRIOR NOTICE.
 - (8) SAFETY CRITICAL DEVICE.

KONG WAH VIDEO ENGINEERING LTD.

TITLE: SCHEMATIC DIAGRAM

MODEL: CT-200DT (X1) SYSTEM: PAL SECAM B/G D/K

DRAW NO.: 9320(BT)-01 PAGE 1 OF 1

DRAWN BY: APPROVED: (PROJECT LEADER)

DATE: JUN 29, 93 REV NO: